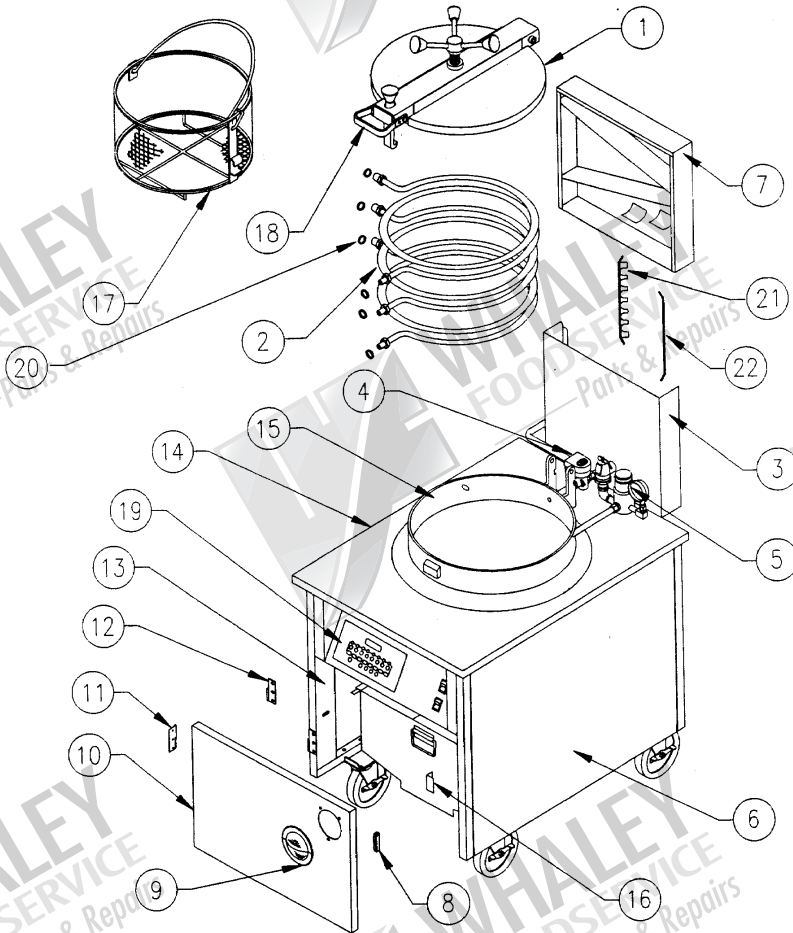


Models FKM,
FKM-F, FKM-FC

Electric Pressure Fryers

BKI

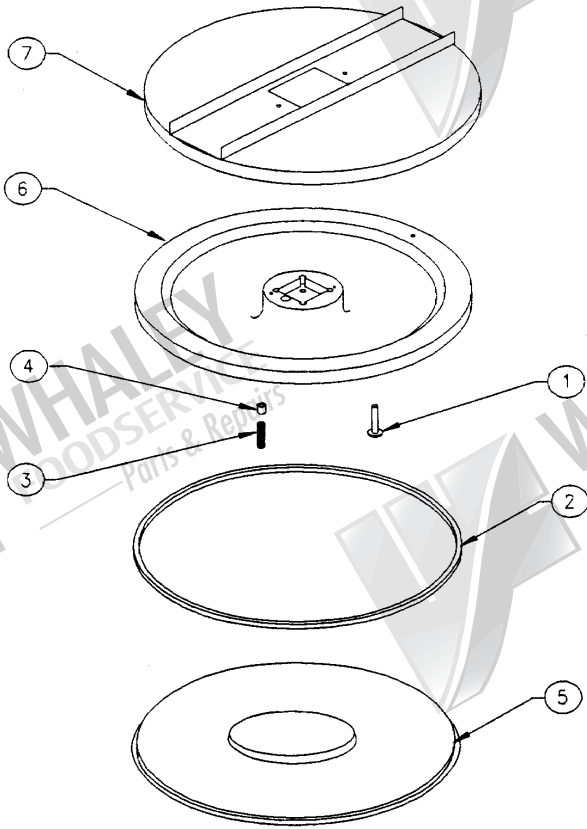
Electric Pressure Fryers



FKM-FC Electric Fryer

ITEM NO.	PART NO.	DESCRIPTION
1	See Page 82	Lid Assembly
2	C0030	Heating Element, 208V, 5675 Watt (3 qty.)
2a	C0031	Heating Element 240V, 5675 Watt (3 qty.)
3	SB7621	Baffle Box Assembly
4	Please Call	Solenoid Valve Assembly
5	Please Call	Dead Weight Assembly
6	FKMA052	Cabinet Side (2 qty.)
7	SB7619	Baffle Box Insert
8	SB1951	Magnet Support Weldment
9	PO022	Pull Handle
10	SB1910	Door Assembly
11	H0010	Left Hand Pin Hinge (2 qty.)
12	H0052	Left Slip Hinge (2 qty.)

ITEM NO.	PART NO.	DESCRIPTION
13	SB7615	Frame Assembly
14	FKMA167	Top
15	SB7616B	Post Assembly
16	FKMA167	Magnetic Striker Plate
17	BO114	Basket
18	Please Call	Arm/Tighten Down Assembly
19	Please Call	Control Panel Assembly (FKM-F)
19a	Please Call	Control Panel Assembly (FKM-FC)
20	FT0059	Washer, Heating Element (6 qty.)
21	LZ0006	Bracket, Heating Element (3 qty.)
22	LZ0007	Bracket, Heating Element (3 qty.)
	SCR137	Screw, Heating Element Bracket (6 qty.)

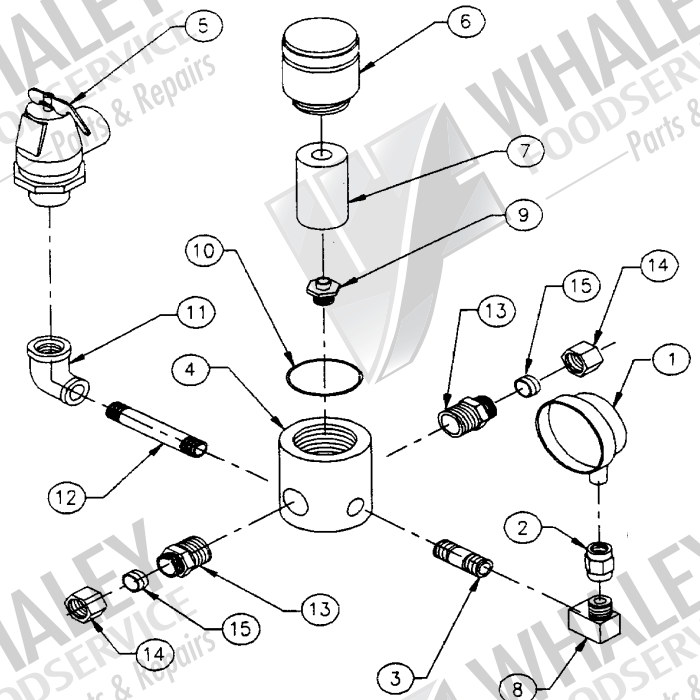


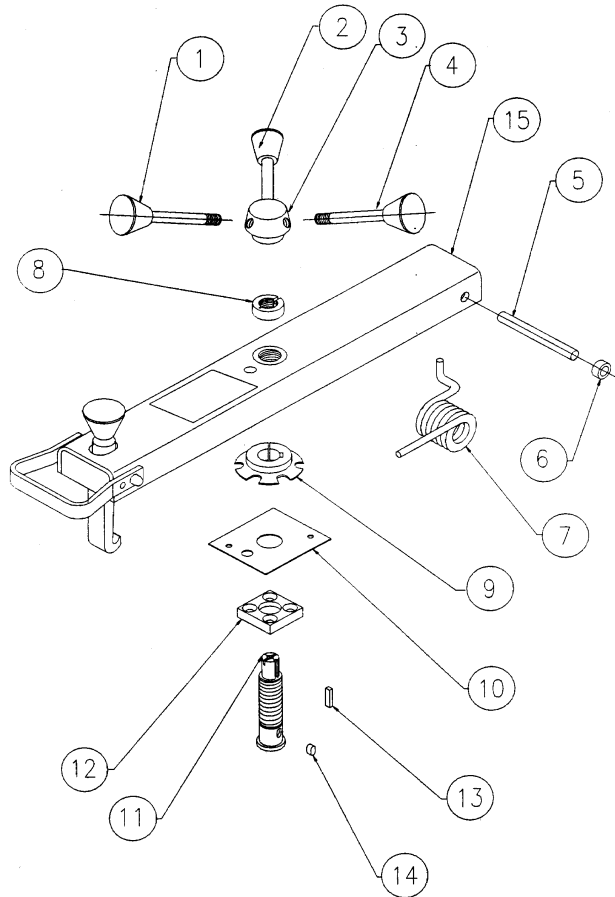
Lid Assembly

ITEM NO.	PART NO.	DESCRIPTION
1	F0353	Locking Pin
2	G0016	Lid Gasket
3	S0045	Locking Pin Spring
4	B0857	Bushing
5	P0115	Lid Insert
6	FK0010	Cast Top
7	SB7632	Lid Cover Assembly

Dead Weight Assembly

ITEM NO.	PART NO.	DESCRIPTION
1	G0064	Pressure Gauge
2	FT0084	Coupling
3	FT0234	Nipple
4	B0969	Dead Weight Valve Body
5	PV0001	Pop Safety Valve
6	C0656	Dead Weight Valve Cover
7	W0201	Valve Weight
8	FT0190	Eil
9	O0001	Orifice
10	O0002	O-Ring Gasket
11	FT0066	Reducer Eil
12	FT0232	Nipple, 1/2" x 2"
13	FT0068	Connector (2 qty.)
14	F0065	Nut (2 qty.)
15	FT0069	Ferrule (2 qty.)





Arm/Tighten Down Assembly

ITEM NO.	PART NO.	DESCRIPTION
1	K0043	Knob-Orange (2 qty.)
2	K0003	Knob-Black (2 qty.)
3	K0020	Tighten Down Hub
4	FT0048	Stud, Handle (3 qty.)
5	FKMA016	Hinge Pin
6	FT0049	Hinge Pin Collar (2 qty.)
7	S0071	Torsion Spring
8	TC0003	Tighten Down Screw Collar

ITEM NO.	PART NO.	DESCRIPTION
9	TC0005	Locking Ring Collar
10	FKMA201	Tighten Down Plate
11	TS0010	Tighten Down Screw
12	TB0021	Tighten Down Block
13	FKMA152	Key
14	FO107	Key
15	AB32110300	Arm Weldment