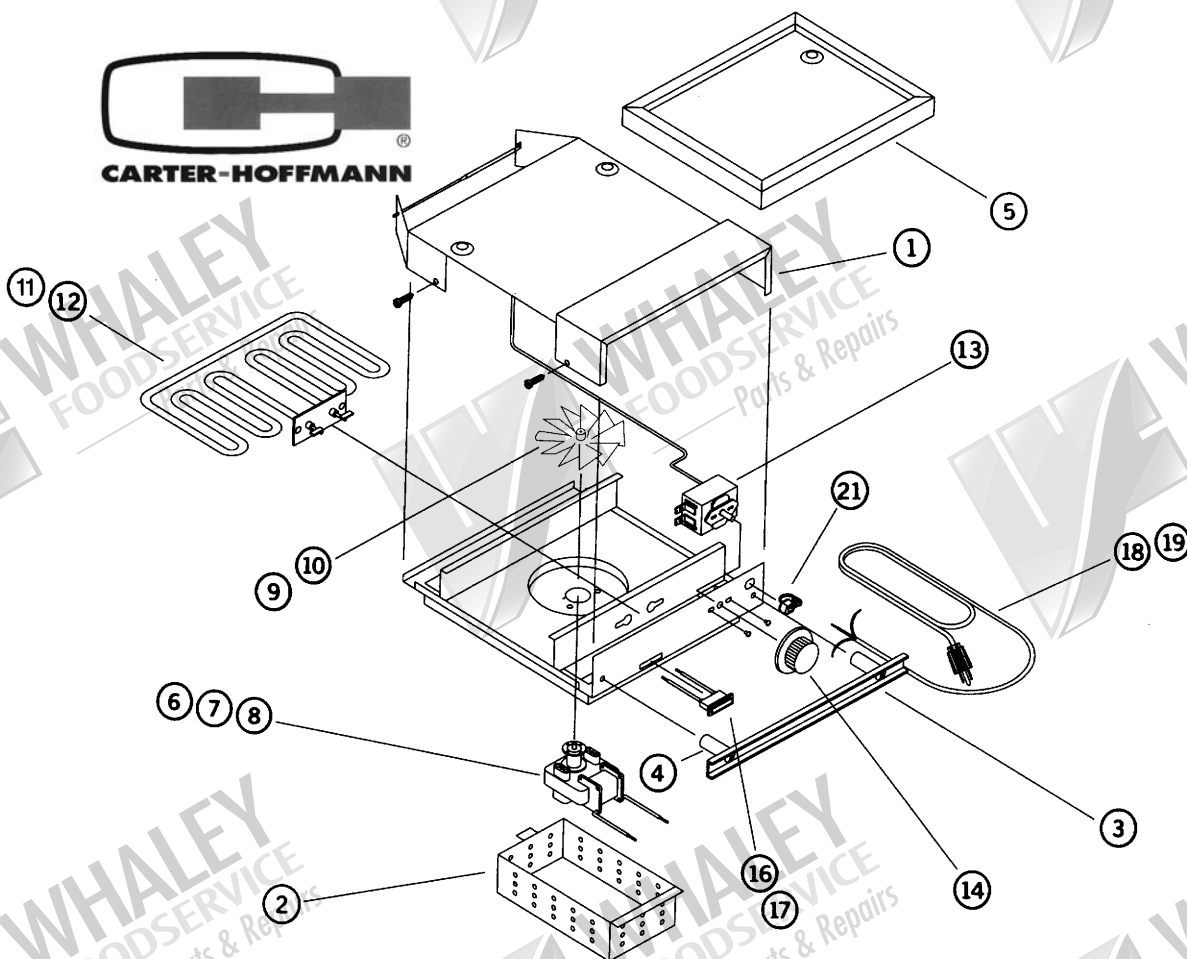


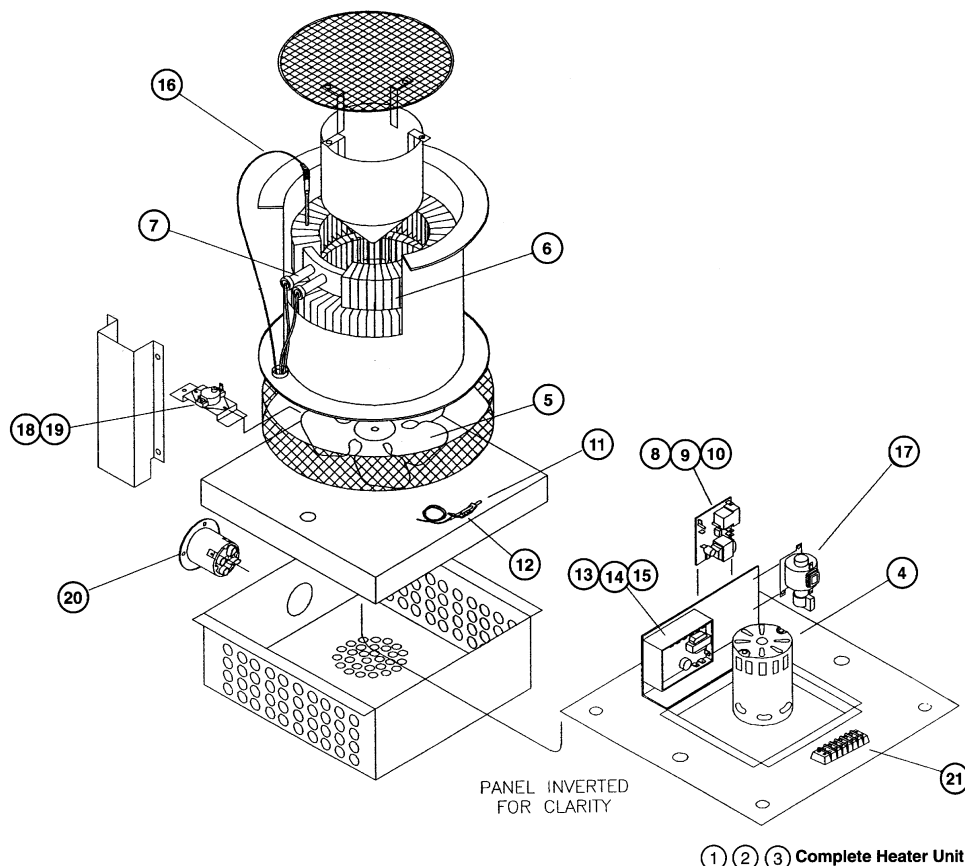
# FH 80 Heater



ITEM NO.	PART NO.	DESCRIPTION
1	16501-1034	Element Cover
2	16501-0760	Motor Cover
3	16501-1103	Handle
4	18617-0850	Handle Spacer
5	11270-2010	Water Pan
6	18603-0025	Fan Motor 120V
7	18603-0095	Fan Motor 220V
8	18603-0091	Fan Motor 240V
9	18603-5010	Fan Bade for 240V Motor
10	18603-5090	Fan Blade
11	18612-0210	Heat Element 120V, 1500 Watt
12	18612-0190	Heat Element 220V, 1700 Watt
13	18600-0010	Thermostat

ITEM NO.	PART NO.	DESCRIPTION
14	18608-0010	Thermostat Knob
	18602-0030	On/Off Switch 120/220V
16	18601-0070	Indicating Light 120V
17	18601-0080	Indicating Light 220V
18	18605-0010	Power Cord w/Plug 120V
19	18605-0015	Power Cord w/Plug 220V
	27090-0008	Cord Reel Assembly (for FH80)
21	18617-0010	5/8" Strain Relief Grommet
	18617-0100	5/8" Snap Bushing
	16090-0289	Wiring Kit
	18054-0070	Fan Motor Mounting Screws
	11000-0676	Wiring Diagram 120V
	11000-1248	Wiring Diagram 220V

# Base and Dome Heaters



► NOTE: Items designated with † must be ordered according to heater type.

ITEM NO.	PART NO.	DESCRIPTION
1	27080-2029	Dome Heater 170° F
2	27080-2028	Base Heater 310° F
3	27080-2030	Base Heater 205° F
4	18614-0302	Fan Motor 208V
5	18603-5011	Fan Blade
6	18612-0269	Heat Element 204V, 1950 Watt
7	18606-0901	Ceramic Insulator
8†	18600-0023	Controller Preset 170° F (Dome)
9†	18600-0025	Controller Preset 150° F (250 Base)
10†	18600-0021	Controller Preset 310° F (310 Base)
11	18600-0022	Controller Return Air Probe
12	16501-0281	Probe Clip
13†	18600-0102	Dome Safety Hi-Limit (Dome)

ITEM NO.	PART NO.	DESCRIPTION
14†	18600-0105	Base Safety Hi-Limit (250 Base)
15†	18600-0103	Base Safety Hi-Limit (310 Base)
16	18600-0104	Safety Hi-Limit Probe Type-E
17	18602-0082	Mercury Relay
18†	18600-0059	Hi-Limit Thermostat (Dome)
19†	18600-0054	Hi-Limit Thermostat (250 & 310 Base)
20	18606-0649	L1420P Flanged Inlet
21	18607-0010	Terminal Block
	18617-0100	5/8" Snap Bushing
	18617-0101	3/8" Snap Bushing
	18617-0110	1/2" Snap Bushing
	18600-0026	Controller Standoffs
	11000-1019	Wiring Schematic
	18606-0650	Male Plug (Mate to Item #20)