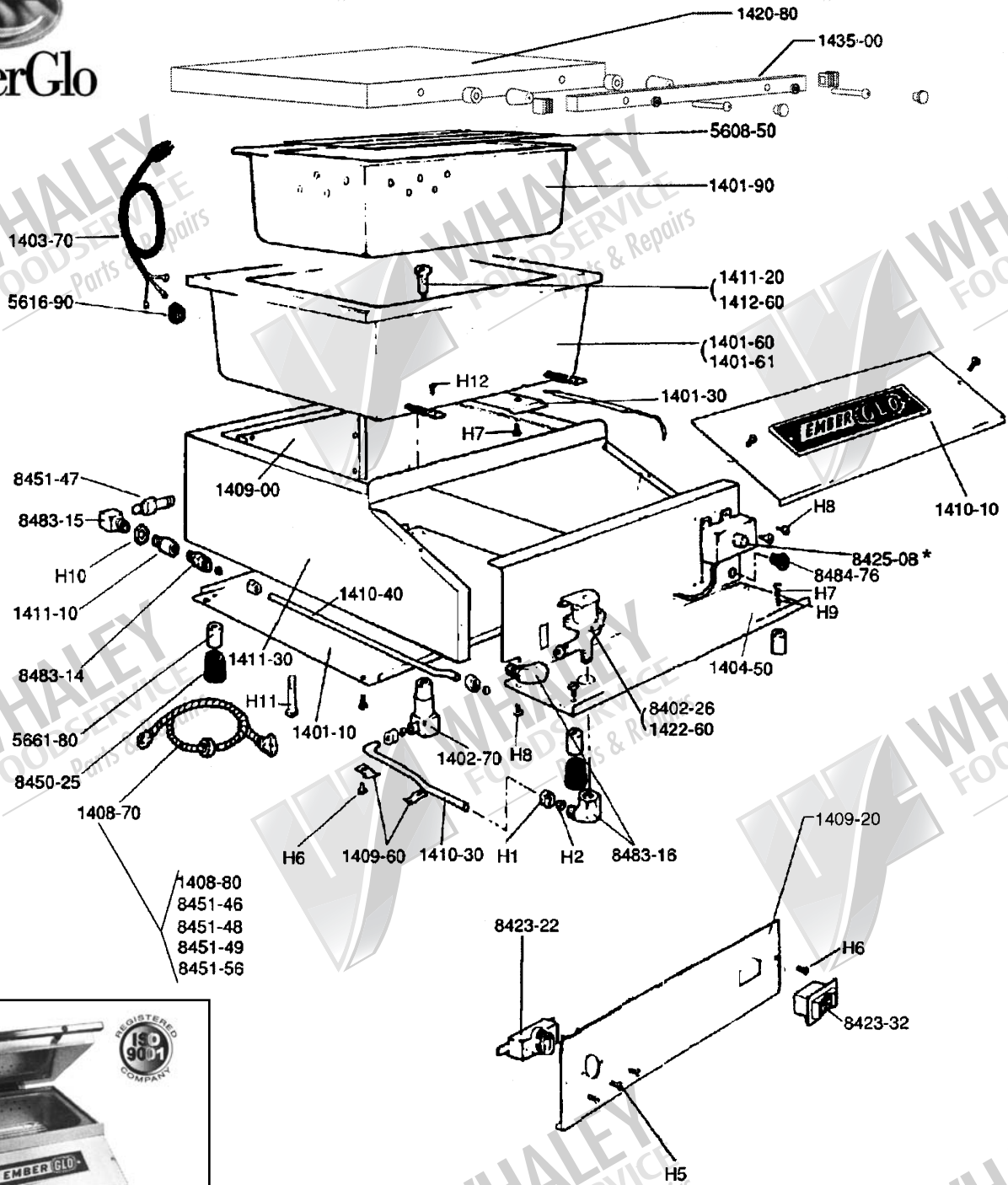


# Model ES5PB Manual Push Button Steamer



► NOTE: Use conversion kit 1446-00 to convert from disc style thermostat to tube style thermostat (8425-08)

*(Illustration on page 209.)*

<b>PART NO.</b>	<b>DESCRIPTION</b>
1401-10	Rear Bottom
1401-30	Bulb Clamp
1401-60	Generator, 120V
1401-61	Generator, 220V
1401-90	Food Pan
1402-70	Water Inlet
1403-70	Power Cord (3 prong, 120V)
1404-50	Front Bottom Panel
1408-70	Hose Assembly (complete)
1408-80	Hose Only (2 required)
1409-00	Stiffener
1409-20	Switch Panel
1409-60	Water Tube Clip (2 required)
1410-10	Control Box Cover and Nameplate Assembly
1410-30	Short Water Tube and Fittings
1410-40	Long Water Tube and Fittings
1411-10	Bulk Head Fitting Assembly
1411-20	Water Nozzle with Spring
1411-30	Body Shell Assembly
1412-60	Water Nozzle Spring Only
1420-00	Hinge Spring Bar (2 required)
1420-40	Hinge Spring (2 required)
1420-80	Lid Assembly (lid and handle)
1421-00	Adjustable Lower Hinge
1421-50	Hinge Lid Stop Rivetment
1421-60	Adjustable Upper Hinge
1422-60	1/4 MPT Solenoid Valve, 240V
1435-00	Lid Handle Replacement Kit
5608-50	Food Grid
5616-90	Strain Relief (SR-6P-4)
5661-80	Aluminum Leg (4 required)
8402-26	1/4 MPT Solenoid Valve, 120V
8423-14	On-Off Rocker Switch
8423-22	Push Button Switch

<b>PART NO.</b>	<b>DESCRIPTION</b>
8425-08	Thermostat
8432-08	5/16" OD x 3/16" ID O-Ring (2 required)
8450-25	Socket Tip (4 required)
8451-46	Strainer
8451-47	Quick Connect Insert
8451-48	Quick Connect Body
8451-49	Female Hose Barb (2 required)
8451-56	Hose Clamp (4 required)
8483-14	1/8 MTP x 1/4 T ST Brass Comp. Fit
8483-15	1/8 Brass Street Ell
8483-16	1/4 FPT x 1/4 T Brass Comp. Ell (2 required)
8484-76	Snap Bushing (B-500-375)
1410-50	Insulation Kit (Sides, Back, Front & Bottom)
1410-80	Electrical Wire Kit (less power cord)
1419-00	Adjustable Hinge Retrofit Kit and Hardware
1446-00	Thermostat Disc to Bulb Kit

### Hardware – Obtain Locally

<b>ITEM NO.</b>	<b>DESCRIPTION</b>
H1	1/4 Compression Nut
H2	1/4 Compression Sleeve
H3	10-32 x 2 Round Head Machine Screw
H4	10-32 x 3/8 Truss Head Machine Screw
H5	6-32 x 1/4 Truss Head Machine Screw
H6	8 x 3/8 Truss Head Type "B"
H7	10-24 x 3/8 Round Head Machine Screw
H8	6 x 1/4 Pan Head Type "AB"
H9	#10 Stainless Steel Lockwasher
H10	9/16-18 Pal Lock Nut
H11	1/4-20 x 2 Round Head Machine Screw
H12	8-32 x 5/16 Pan Head Machine Screw