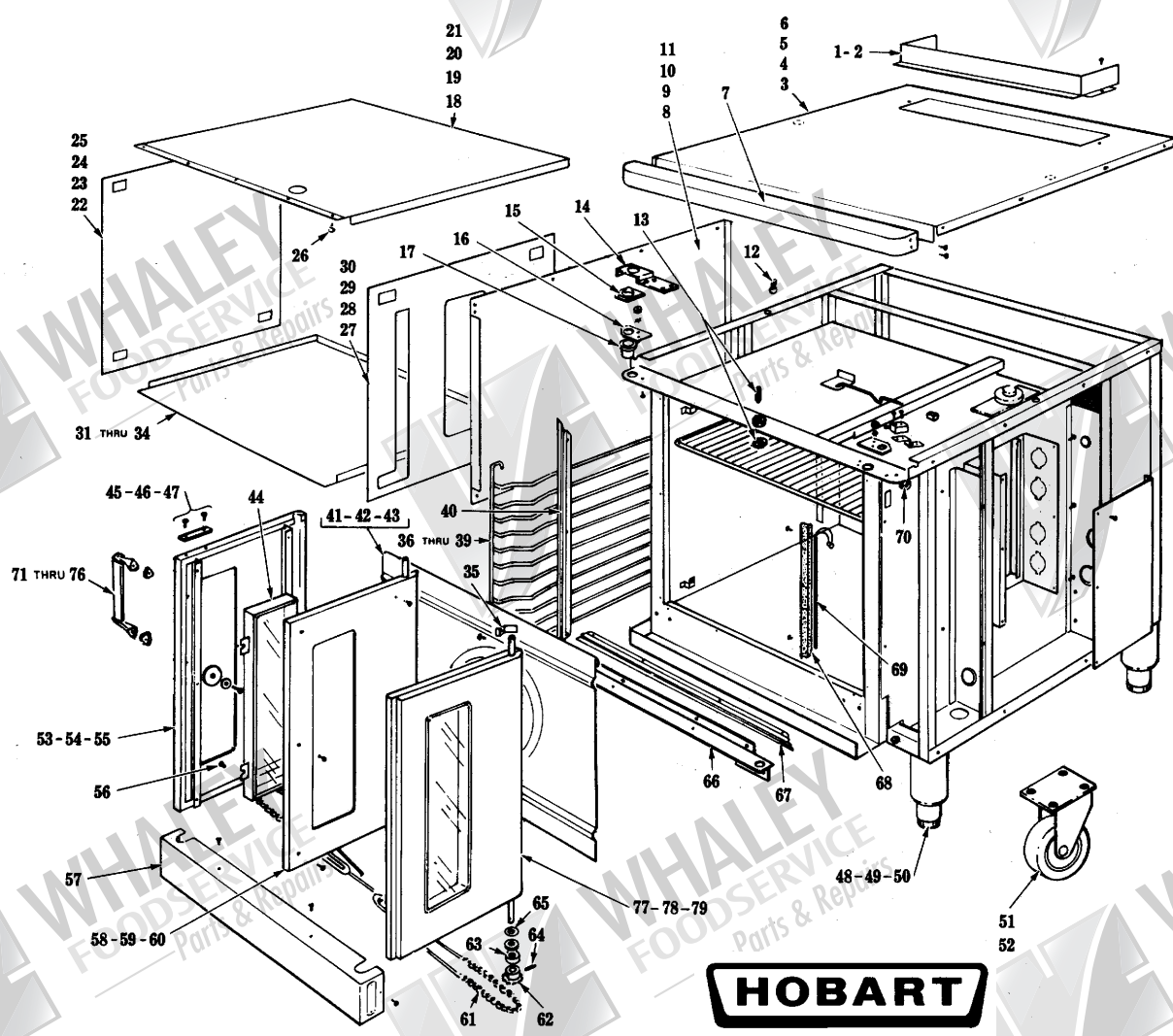


CN90 Oven



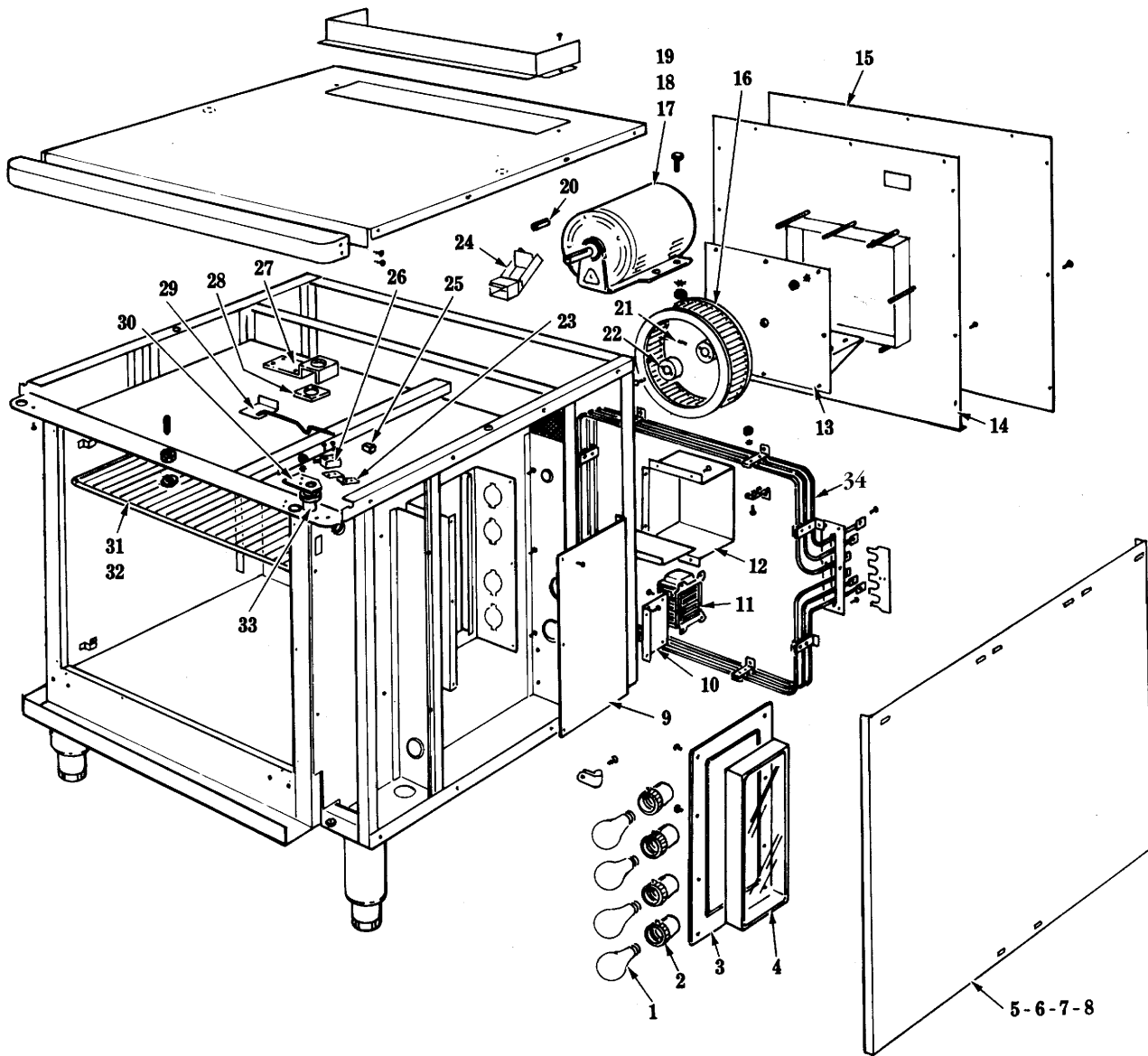
ITEM NO.	PART NO.	DESCRIPTION
1	343516-1	Shell — Chimney (PTD.)
2	343516-2	Shell — Chimney (SST)
3	343508-1	Top — Rear (PTD.) (CN90 & CN95)
4	343508-2	Top — Rear (SST) (CN90 & CN95)
5	343508-3	Top — Rear (PTD.) (CN91)
6	343508-4	Top — Rear (SST) (CN91)
7	343501-1	Top — Front
8	342201-1	Panel — Outer (Left Hand) (PTD.) (CN90 & CN95)
9	342201-2	Panel — Outer (Left Hand) (SST) (CN90 & CN95)

ITEM NO.	PART NO.	DESCRIPTION
10	342201-3	Panel — Outer (Left Hand) (PTD.) (CN91)
11	342201-4	Panel — Outer (Left Hand) (SST) (CN91)
12	339337-1	Stud — Locating (2 qty.)
13	347545-1	Door Catch Assembly
14	353484-1	Retainer
15	353482-1	Spacer
16	353483-1	Plate — Upper Door Bearing (2 qty.)
17	347080-2	Bushing
18	342597-1	Panel — Top (Teflon) (CN90 & CN95)
19	342597-2	Panel — Top (SST) (CN90 & CN95)
20	342597-3	Panel — Top (Teflon) (CN91)

(Illustration on page 371.)

ITEM NO.	PART NO.	DESCRIPTION
21	342597-4	Panel — Top (SST) (CN91)
22	342595-1	Panel — Left Hand (Teflon) (CN90 & CN95)
23	342595-2	Panel — Left Hand (SST) (CN90 & CN95)
24	342595-3	Panel — Left Hand (Teflon) (CN91)
25	342595-4	Panel — Left Hand (SST) (CN91)
26	SD-34-21	Self-Tapping Screw 10 x 1/2 Slot. Hex Washer Hd., Type AB (5 qty.)
27	354201-1	Panel — Right Hand (Teflon) (CN90 & CN95)
28	354201-2	Panel — Right Hand (SST) (CN90 & CN95)
29	354201-3	Panel — Right Hand (Teflon) (CN91)
30	354201-4	Panel — Right Hand (SST) (CN91)
31	342598-1	Panel — Bottom (Teflon) (CN90 & CN95)
32	342598-2	Panel — Bottom (SST) (CN90 & CN95)
33	342598-3	Panel — Bottom (Teflon) (CN91)
34	342598-4	Panel — Bottom (SST) (CN91)
35	343530-1	Lever — Door Switch
36	342141-1	Rack — Support (Left Hand) (CN90 & CN95)
37	342141-2	Rack — Support (Right Hand) (CN90 & CN95)
38	342141-3	Rack — Support (Left Hand) (CN91)
39	342141-4	Rack — Support (Right Hand) (CN91)
40	342155-1	Gasket — Door (Left/Right) (20") (2 qty.)
41	342601-2	Blower Baffle (Aluminum Steel)
42	342601-3	Panel — Blower Baffle (Teflon)
43	346833-1	Panel — Blower Baffle (SST)
44	342129-1	Window Assembly (2 qty.)
45	347546-1	Strike — Door
46	347577-1	Shim
47	SC-114-17	Machine Screw 10-32 x 3/4 Philips Pan Hd.
48	340445-2	Leg — Adjustable (6") (AR)
49	342150-5	Leg — Adjustable (8") (AR)
50	342150-4	Leg — Adjustable (25-3/4") (AR)
51	341655-6	Caster — 6" "Swivel" (AR)
52	341655-7	Caster — 6" "Rigid" (AR)
53	342125-1	Door — Front (Left Hand) (SST) (With Window)

ITEM NO.	PART NO.	DESCRIPTION
54	342125-2	Door — Front (Right Hand) (SST) (With Window)
55	345904-1	Door — Front (Left Hand/Right Hand) (SST) (Solid) (2 qty.)
56	SD-34-62	Self-Tapping Screw 10 x 1/2 Slot. Hex Washer Hd., Type T (8 qty.)
57	343515-1	Front Cover — Door Sill
58	342124-1	Door — Inner (Left Hand) (SST) (With Window)
59	342124-2	Door — Inner (Right Hand) (SST) (With Window)
60	345906-1	Door — Inner (Left Hand/Right Hand) (SST) (Solid) (2 qty.)
61	343608-2	Door Chain Assembly (SST) (2 qty.)
62	342166-1	Sprocket — Door Shaft (Includes Item 60) (2 qty.)
63	347080-2	Bearing — Door Shaft (2 qty.)
64	PS-4-11	Spirol Pin 3/16 x 1-1/4 (Sprocket) (2 qty.)
65	343143-1	Washer (4 qty.)
66	342137-1	Door Sill Assembly
67	342155-2	Gasket — Door 29" (2 qty.)
68	342132-4	Guard — Thermostat Bulb
69	354319-1	Probe Assembly
70	342154-2	Plug — Thermostat
71	347063-1	Door Handle (Solid)
72	347608-1	Door Handle (With Window)
73	SC-114-29	Machine Screw 1/4-20 x 3/8 Philips Pan Hd. (2 qty.)
74	347711-1	Grip — Door Handle
75	WS-29-45	Washer (2 qty.)
76	SC-114-10	Machine Screw 8-32 x 1/4 Philips Pan Hd. (2 qty.)
77	342235-1	Left Hand Door Assembly (SST) (With Window) (Includes Items 44, 53 & 58)
78	342235-2	Right Hand Door Assembly (SST) (With Window) (Includes Items 44, 54 & 59)
79	346822-1	Left Hand/Right Hand Door Assembly (SST) (Solid) (Includes Items 55 & 60)



(Illustration on page 373.)

ITEM NO.	PART NO.	DESCRIPTION
1	342766-1	Light Bulb — Oven (40 Watts) (4 qty.)
2	340263-1	Socket — Oven Light (4 qty.)
3	343611-2	Trim — Window
4	342129-2	Window — Oven Light
5	342200-1	Panel — Outer (Right Hand) (PTD.) (CN90 & CN95)
6	342200-2	Panel — Outer (Right Hand) (SST) (CN90 & CN95)
7	354547-3	Panel — Outer (Right Hand) (PTD.) (CN91)
8	354547-4	Panel — Outer (Right Hand) (SST) (CN91)
9	343517-1	Cover — Light Chamber
10	342326-1	Plate — Transformer Mounting (480V)
11	347365-13	Transformer (480V)
12	345525-1	Partition Unit
13	343514-1	Motor Mount
14	342196-1	Back — Inner Panel
15	342199-1	Panel — Back (PTD.)
16	342205-1	Blower
17	345201-1	Motor 3/4 HP (1 Speed)
18	342146-3	Motor 1/2 HP (2 Speed)

ITEM NO.	PART NO.	DESCRIPTION
19	346217-1	Washer — Motor Mounting (8 qty.)
20	343529-2	Key — Blower (1-3/8" Lg.)
21	SC-113-53	Set Screw 5/16-24 x 3/8 Soc. Hdls. (2 qty.)
22	342206-1	Hub — Blower
23	343509-1	Bracket — Door Switch
24	343599-1	Vent — Extension — Short
25	341564-3	Knob — Vent
26	342147-1	Switch — Door
27	353484-1	Plate — Retainer
28	353482-1	Spacer
29	343499-1	Slide & Rod (Vent)
30	353483-1	Plate — Upper Door Bearing
31	342142-1	Rack Assembly (CN90 & CN95)
32	342142-2	Rack Assembly (CN91)
33	347080-2	Bushing (2 qty.)
Heating Element Assembly:		
34	208V	342170-1
*	240V	342170-2
*	480V	344865-1

READY TO SERVE YOU.

A Whaley Parts Specialist is at your service
7:00am to 6:00pm EST, Monday through Friday.
In-stock parts orders received by 5:30pm EST are
shipped the same day.

Express shipping is available for emergency orders.
Plus all of our Parts Specialists have an extensive
knowledge of the parts and can assist in your needs.