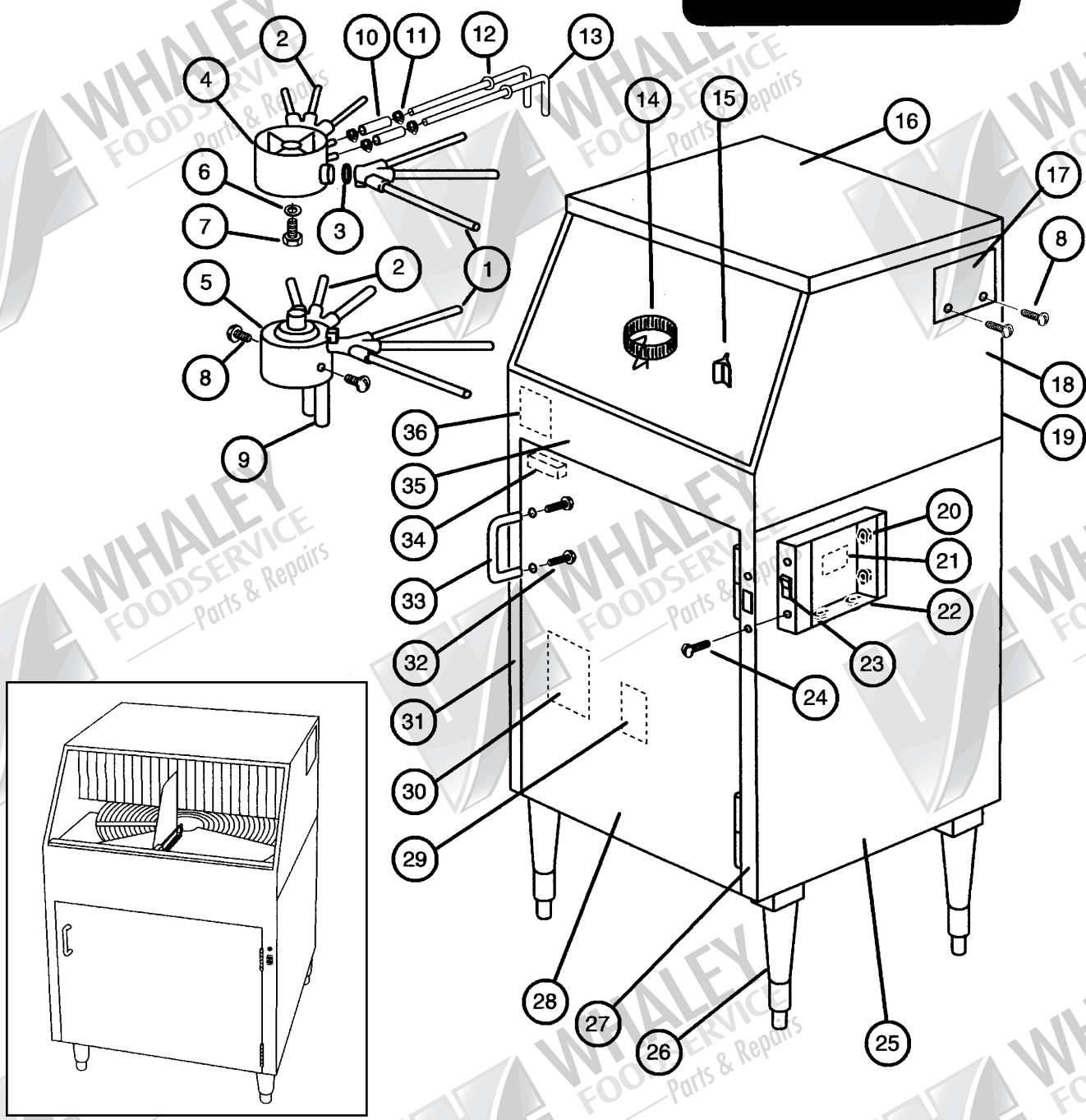
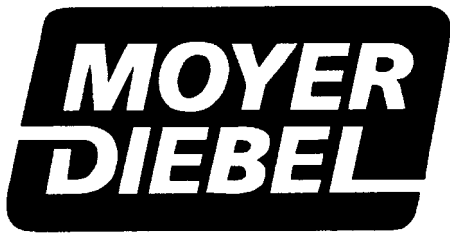


Rotary Glass Washer



(Illustration on page 469.)

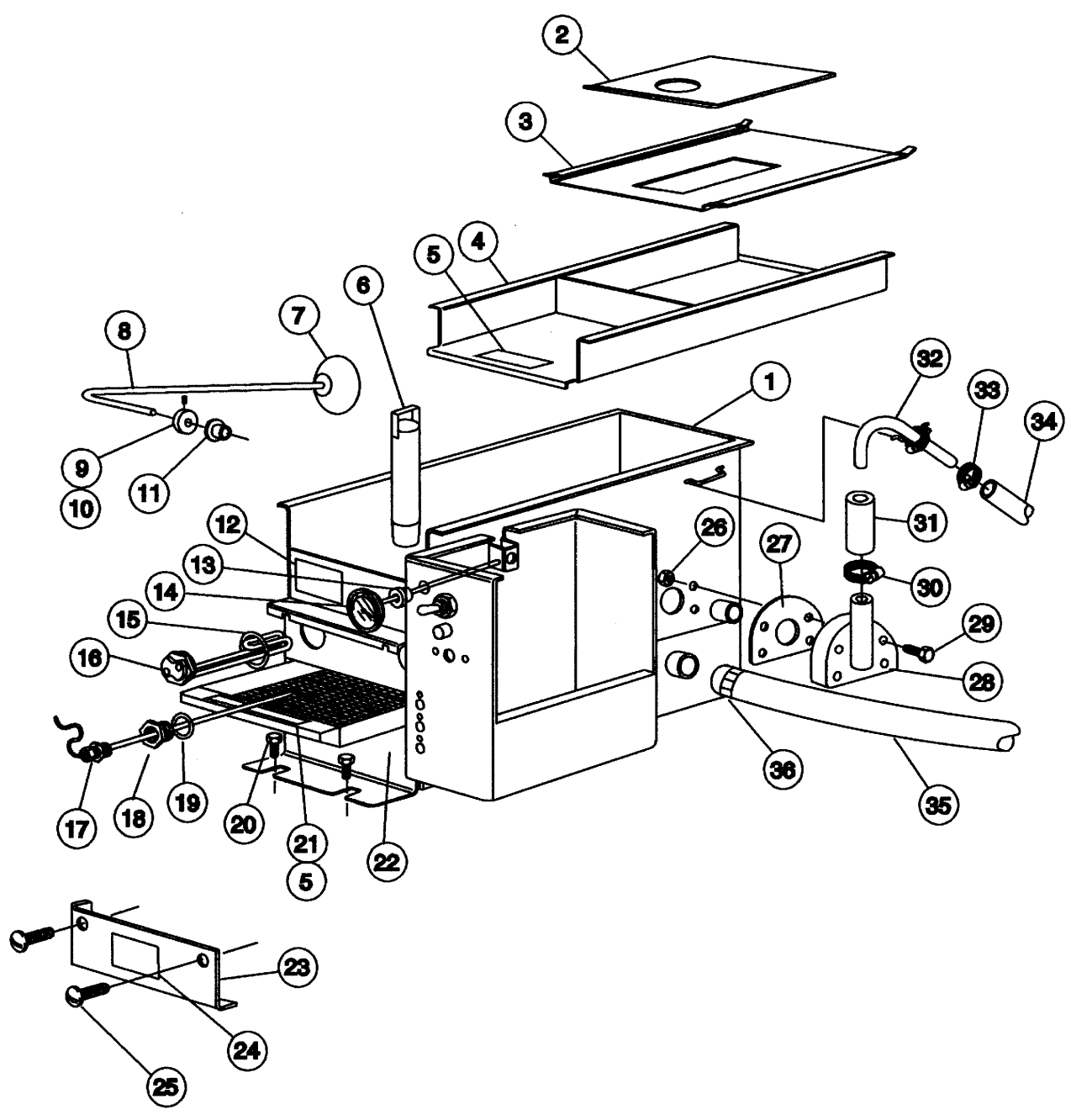
Main Assembly

ITEM NO.	PART NO.	DESCRIPTION	ITEM NO.	PART NO.	DESCRIPTION
1	0501738	Rinse Arm DF, DF-1 (2 qty.)	19	0707692	Wash Tank
	0501692	Wash Arm DF-2 (Counter-Clockwise units only) (2 qty.)	20	0503574	Strain Relief Fitting (4 qty.)
2	0501613	Wash Arm DF, DF-1 (2 qty.)	21	0503301	Label, Warning
	0501740	Rinse Arm DF-2 (Counter-Clockwise units only) (2 qty.)	22	0707413	Switch Box Assembly
3	0501608	"O" Ring (4 qty.)	23	0501361	Rocker Switch
4	0501610	Top Manifold	24	0501411	Screw, 10-32 x 1/4" (2 qty.)
5	0301622	Bottom Manifold	25	0707690	DFM6 Base
6	0300823	Flat Washer, 1/4"	26	0501873	Cast Foot- Gray (4 qty.)
7	0501422	Bolt, 1/4-20 x 1 1/2"	27	0707394	Front Trim Assembly (Right Hand)
8	0501412	Screw, 10-32 x 3/8" (4 qty.)	28	0707399	Door Assembly
9	0500813	Bottom Manifold Inlet Tube (2 qty.)	29	0507474	Wiring Schematic
10	0502663	3/8" Braided Tubing (5" Long) (2 qty.)	30	0507472	Label, Daily Cleaning
11	0503679	7/16" Gear Clamp (4 qty.)	31	0307396	Front Trim (Left Hand)
12	0509478	Grommet (2 qty.)	32	0501464	Screw, 10-24 x 3/8" (2 qty.)
13	0300908	Wash/Rinse Tube (2 qty.)	33	0501921	Door Handle
14	0700911	Deflector Screen Assembly (Rinse)	34	0501885	Magnetic Door Catch
15	0300841	Drain Deflector (Wash)	35	0307398	Front Trim
16	0301003	Top Panel	36	0505111	Label, Machine Rating
17	0300855	Access Cover for Vacuum Breaker		0706923	Tank Support
18	0307395	Side Trim Wrap		0506443	Tank Insulation, Rear
				0506443	Tank Insulation, Center
				0506444	Tank Insulation, Front

INFO AT YOUR FINGERTIPS!

Whaley Foodservice Repairs offers an online system of equipment parts, service manuals, wiring diagrams, and much more.

You can even keep an electronic record of your maintenance schedule. Go to www.whaleyfoodservice.com. Click the icon for online ordering.



(Illustration on page 471.)

Detergent Tank

ITEM NO.	PART NO.	DESCRIPTION
1	0707415	Detergent Tank (up to S/N 18673)
	0709054	Detergent Tank (starting @ S/N 18673)
2	0307379	Detergent Tank Cover Lid
3	0307378	Detergent Tank Rear Cover
4	0707375	Detergent Tank Screen Assembly
5	0507471	Label, Clean Screens Daily (2 qty.)
6	0700948	Standpipe Assembly
7	0503670	Float Ball
8	0507426	Float Rod
9	0703673	Cam Bushing w/Set Screw
10	0501397	Set Screw 6-40 x 3/16"
11	0503701	Timer Shaft Bearing (not req'd after S/N 18673) (2 qty.)
12	0505112	Label, Data
13	0501896	Thermometer Seal
14	0501600	8" Thermometer
15	0503588	Heater "O" Ring
16	0507315	3 KW Heater w/"O" Ring
17	0507323	Thermostat (Capillary only shown)

ITEM NO.	PART NO.	DESCRIPTION
18	0501650	Thermostat Adaptor
19	0501836	Adaptor "O" Ring
20	0501419	Bolt, 1/4-20 x 1/2"
21	0707383	Drain Pan Screen Assembly
22	0707380	Drain Pan Assembly
23	0307423	Heater Cover
24	0503301	Label, Warning
25	0501412	Screw, 10-32 x 3/8" (2 qty.)
26	107435	Nut, M6 (4 qty.)
27	107886	Inlet Chute Gasket
28	108051	Elbow Flange
29	0507431	Bolt, M6 x 25mm (4 qty.)
30	0502563	1" Gear Clamp
31	0502668	1" I.D. Braided Hose (AR)
32	0307427	Inlet Water Tube
33	0503679	7/16" Gear Clamp (2 qty.)
34	0502665	1/2" I.D. Braided Hose
35	0502662	1-1/2" Vac-U-Flex Hose (19")
36	0502571	1-1/2" Gear Clamp

SINGLE-SOURCE SUPPLIER!

Whaley Foodservice Repairs is your **single-source supplier** for hundreds of foodservice equipment repair parts and accessories.