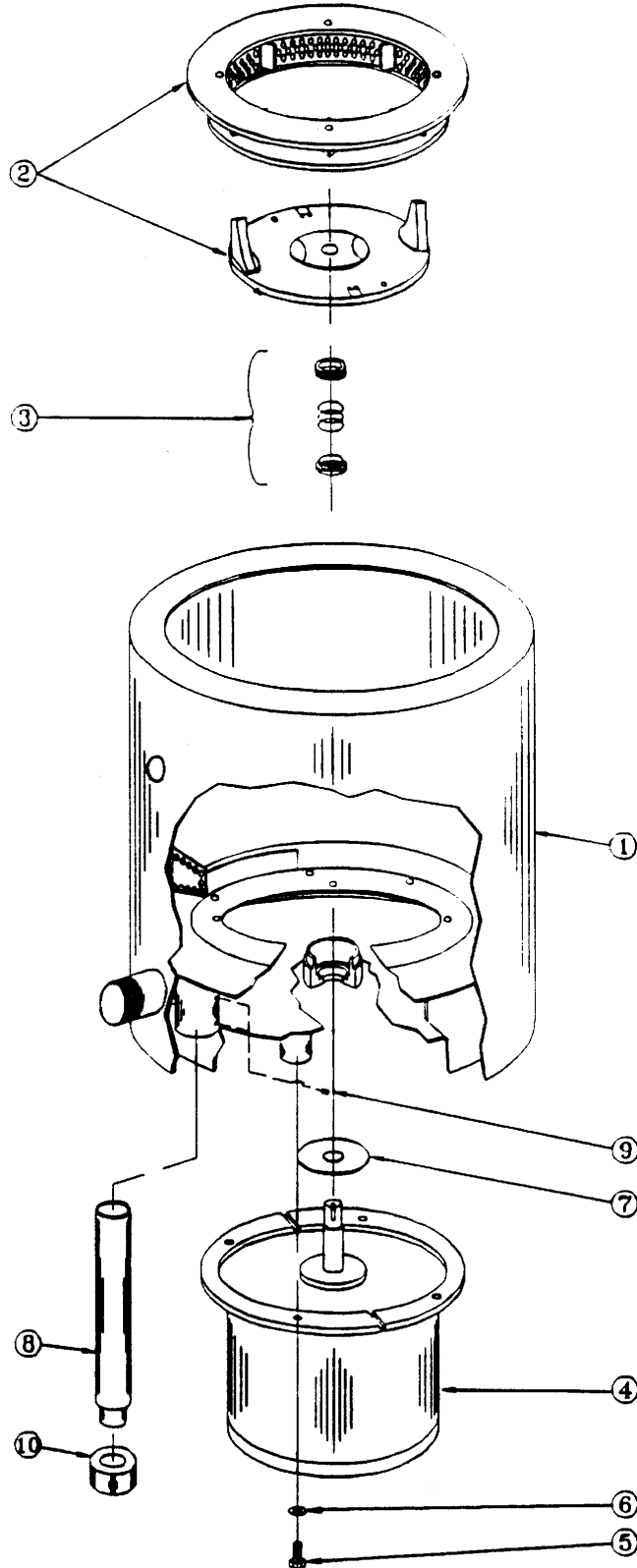


# Pulper – SP and SPC Series



ITEM NO.	PART NO.	DESCRIPTION
1	Please Call	Shell and Slurry Chamber
2	Please Call	Cutting Mechanism
3	54325	Seal, Mechanical, Ni-Resist
4	41731	Motor, 7-1/2HP TEFC (41734 for Pulper S/N 7267 & after)
5	Please Call	Screw, Hex Head, 1/2 - 13 x 1-1/2" Large, Cad. Pl. (4 qty.)
6	Please Call	Lock Washer, 1/2 I.D. Split Type, Cad. Pl. (4 qty.)
7	32460	Flinger, Drive Motor
8	39705	Leg, Adjustable (4 qty.)
9	Please Call	Set Screw, Socket, 1/4" - 20 x 3/8" Large, Cad. Pl. (8 qty.)
10	16200	Vibration Isolator, Rubber (4 qty.)

**High Tanks Only**

35202-1	High Tank Lid Latch (2 qty.)
35220	High Tank Lid Handle
53410	High Tank Lid Gasket
84770	High Tank Lid Stop
59990	High Tank Limit Switch

**UDT Models Only**

84771	UDT Lid
34000	UDT Gasket
57315	UDT Cone
59940	UDT Limit Switch
59935	UDT Limit Switch Lever
89719-1	UDT Limit Switch Boot

**Tray Only**

PART NO.	DESCRIPTION
23070	Curtain
33915	Tray Gasket

**Trough Only**

PART NO.	DESCRIPTION
82781	Trough Gasket

**Options and Tools**

PART NO.	DESCRIPTION
81880	Dam (optional)
84150	Impeller Puller
89711	Seal Installation Tool

**Plumbing**

ITEM NO.	PART NO.	DESCRIPTION
1A	64804	Gate Valve, 3/4"
2A	11311	Backflow Preventor, 3/4"
3A	11300	Shock Arrestor, 3/4"
4A	64715	Solenoid Valve, 3/4"
5A	64840	Drain Valve, 2"
6A	64870	Check Valve, 2"
7A	22237	Flex Connector, 2"
8A	64825	Gate Valve, 1-1/2"
9A	64805	Gate Valve, 1"
10A	64735-1	Motor Operated Valve, 1-1/2"
11A	22237	Flex Connector, 2"

